

Simply a question of  
**better measurement**



**SCHMIDT® Flow Sensor  
SS 20.260**

The reliable specialist – with fast  
reactions and cost-effective

Industrial processes

Ventilation / air-conditioning

**50 m/s**

**+120 °C**





## Direct flow measurement solves lots of tasks

The direct measurement of flow velocity in air and gases is the ideal solution for many applications. An accurate sensor is the first step of efficient and safe regulation and control. Thus there are high requirements from this sensor like a very wide measuring range of nearly zero up to the maximum value. Extensive and fault-prone detection of additional measurements, which have also to be calculated, are thus avoided. Typical applications of the SCHMIDT® flow sensor SS 20.260 in chamber head technology for ventilation and air conditioning as well as industrial processes are as follows:

- Inspection and energy efficient control of ventilation
- Permanent monitoring of filter units
- Safe control of volume flow in exhausts
- Monitoring and control of supply air in industrial burners
- Detection of air flows in quality relevant drying processes

## The specialist with fast reactions

The thermal SCHMIDT® flow sensor SS 20.260 solves the user's requirements in an ideal way. The rugged design of the chamber head offers optimal protection against mechanical impacts of the sensor element in "free jet" applications. The installation into channels with a diameter from 25 mm up to 1 m is also very easy by means of a flange, compression fitting or by a central screw.

## The chamber head technology

The sensor is positioned in the gas flow in a way that allows a parallel flow of the medium through the chamber head. Due to the special mechanical design the obstruction in the flow is very small and the parallel positioning towards the flow supports a self-cleaning effect of the sensor element. For the protection against serious dirt particles there are security wires installed in front and behind of the sensor element. In addition the direct contact of the sensor element to the medium leads to a very fast measured value detection. Any necessary cleaning can be carried out very easily by immersion into water, alcohol or blowing out.

## Two measuring units in one sensor

On request the SCHMIDT® flow sensor SS 20.260 can be delivered with an integrated temperature measurement from which the medium temperature can be detected over a wide range of -20 up to +120 °C without any additional installation effort. As linear output signals there are 0...10 V (only flow) or 4...20 mA (for flow and temperature) available.

## Accuracy in black and white

On request the SCHMIDT® flow sensor SS 20.260 can be delivered with an ISO calibration certificate which documents the high accuracy and reproducibility of flow measurement on the basis of real measuring values and deviations. SCHMIDT Technology carries out the measurement in reference channels. This calibration can be renewed by the user at any time.



## Accessories



Compression fitting



Welding sleeve



Adjustable flange



LED display MD 10.010/015  
in wall housing

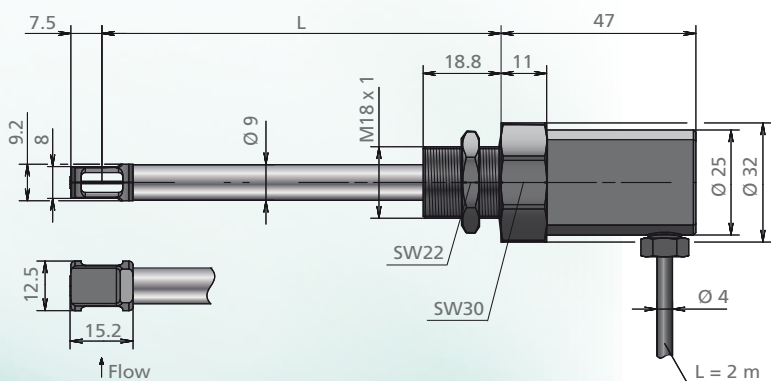


### The sensor element

... is flow suitable and positioned in the aerodynamic chamber head where it is well-protected. Both sensors for flow and temperature are attached to the sensor element out of ceramic. For protection the sensors are covered with a thin glass layer.

### Everything in view

Dual LED's clearly indicate the sensor is energized and that the operation is "OK".



## Technical data

Measurement specific data	
Measurement values	standard velocity $w_N$ based on standard conditions of 20 °C and 1.013,25 hPa temperature of the medium $T_M$
Medium to be measured	air or nitrogen, other gases upon requeste
Measuring range of flow $w_N$	0 ... 2,5 / 10 / 20 / 40 / 50 m/s
Lower detection limit $w_N$	0,2 m/s
Temperature $T_M$ measuring range (optional)	-20 ... +120 °C
Measuring accuracy	
Standard $w_N$	$\pm$ (5 % of measured value + [0,4 % of final value; min. 0,02 m/s])
High precision $w_N$ (optional)	$\pm$ (3 % of measured value + [0,4 % of final value; min. 0,02 m/s])
Reproducibility $w_N$	$\pm$ 1,5 % of measured value
Response time $t_{90}$ $w_N$	3 s (jump from 0 to 5 m/s)
Temperature gradient $w_N$	< 8 K/min @ 5 m/s
Measuring accuracy $T_M$ (optional)	$w_N > 2$ m/s: $\pm$ 1 K (0 .. 40 °C) $\pm$ 2 K (remaining measuring range)
Operating temperature	
Probe	-20 ... +120 °C
Electronics	0 ... +70 °C
Storage temperature	-20 ... +85 °C
Material	
Sensor head	platinum element, glass passivated, PPO/PAA
Sensor tube	stainless steel 1.4571
Housing	PBT, glass-fiber-reinforced
Connecting cable	PVC
General data	
Medium environment	non-condensing (up to 95 % of relative humidity)
Operating pressure	atmospheric (700 ... 1.300 hPa)
Display	LED green: operating status LED red: sensor defective
Supply voltage	24 V DC $\pm$ 10 %
Current consumption	< 60 mA
Output signals (linear) for temperature and flow	0 ... 10 V ( $R_L \geq 10$ k $\Omega$ ) 4 ... 20 mA ( $R_L \leq 300$ $\Omega$ )
Connection	permanently connected cable, 4-pin, length 2m, with cable end sleeves
Admissible cable length	15 m max. (voltage output) 100 m max. (current output)
Installation position	any
Installation tolerance	$\pm$ 3° to the flow direction
Ingress protection/protection class	IP 65 / III
Probe length L	50 / 100 / 200 / 350 / 500 mm
Weight	200 g max.

## Order information SCHMIDT® Flow Sensor SS 20.260

	Description	Article number						
Basic sensor	SCHMIDT® Flow Sensor SS 20.260; 1 x output signal 4 ... 20 mA or 0 ... 10 V; cable length 2m	506 690-1	X	Y	Z	K	A	
	<b>Options</b>							
Mechanical type	probe length 50 mm		1					
	probe length 100 mm		2					
	probe length 200 mm		3					
	probe length 350 mm		4					
	probe length 500 mm		5					
Measuring ranges and calibration	measuring range 0 ... 2,5 m/s			1				
	measuring range 0 ... 10 m/s			2				
	measuring range 0 ... 20 m/s			3				
	measuring range 0 ... 40 m/s			4				
	standard calibration					1		
	high precision calibration flow with ISO calibration certificate					2		
Output signals	0 ... 10 V						1	
	4 ... 20 mA						2	
Connecting cable	cable length 2 m							1
	special cable length: _____ m							9
	<b>Description</b>							
	<b>Article number</b>							
Basic sensor with temperature output	SCHMIDT® Flow Sensor SS 20.260; 2 x output signals 4 ... 20 mA; cable length 2 m	506 690-2	X	Y	Z	4	A	
	<b>Options</b>							
Mechanical type	probe length 50 mm		1					
	probe length 100 mm		2					
	probe length 200 mm		3					
	probe length 350 mm		4					
	probe length 500 mm		5					
Measuring ranges and calibration	measuring range 0 ... 10 m/s			2				
	measuring range 0 ... 20 m/s			3				
	measuring range 0 ... 40 m/s			4				
	measuring range 0 ... 50 m/s			5				
	standard calibration					1		
	high precision calibration with ISO calibration certificate					2		
Connecting cable	cable length 2 m							1
	special cable length: _____ m							9
	<b>Description</b>							
	<b>Article number</b>							
Accessories	mounting flange steel made of galvanized steel							301 048
	compression fitting brass G1/2, atmospheric pressure							517 206
	welding sleeve steel G1/2, according to EN 10241, 5 pieces							524 916
	LED display MD 10.010 in wall housing to show the volume flow and the flow velocity, 85 ... 230 V AC and sensor power supply							527 320
	LED display MD 10.010, similar to 527 320 but with 24 V DC voltage supply							528 240
	LED display MD 10.015, similar to 527 320 but with an additional sum function and a second measuring input							527 330
	LED display MD 10.015, similar to 527 330 but with 24 V DC voltage supply							528 250

### SCHMIDT Technology GmbH

Feldbergstrasse 1  
 78112 St. Georgen/Germany  
 Phone +49 (0) 77 24/89 90  
 Fax +49 (0) 77 24/89 91 01  
 sensors@schmidttechnology.de  
 www.schmidttechnology.de